

PIVOTING TUB DRAIN

Cat. No.
5599PD

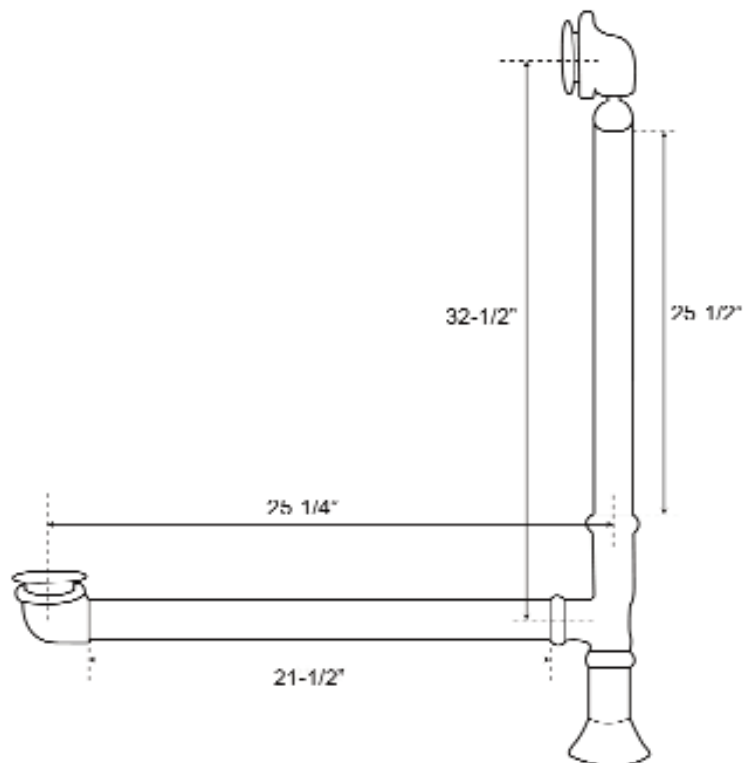


Features:

- ▶ Brass construction
- ▶ Swivel head adjusts to slope of tub
- ▶ Lift and turn drain cover
- ▶ Open daisy wheel drain cover
- ▶ Optional push button drain cover for overflow hole allows for a deeper fill
- ▶ Drain cover overflow passes through tub wall to prevent leakage in double walled tubs
- ▶ For use with tubs up to 1-3/4" thick at overflow
- ▶ Available in 6 finishes

Finishes:

PB	Polished Brass	CP	Polished Chrome
BN	Brushed Nickel	PN	Polished Nickel
ORB	Oil Rubbed Bronze	WH	White



Dimensions and specifications subject to change without notice.