

Ventilation System Specifications

See following pages for ventilation system diagrams

STANDARD 18" VENTILATION SYSTEM SPECIFICATIONS

Type	Model	Diagram	Width	Depth	Duct Size	Sones	Control	Amps	Blower
Liner Only	CSPI-30	A	28 3/8"	18"	8"	N/A	Variable	N/A	In-Line or Remote Mount Blower
	CSPI-36	A	34 3/8"	18"	8"	N/A	Variable	N/A	In-Line or Remote Mount Blower
	CSPI-42	B	40 3/8"	18"	10"	N/A	Variable	N/A	In-Line or Remote Mount Blower
	CSPI-48	B	46 3/8"	18"	10"	N/A	Variable	N/A	In-Line or Remote Mount Blower
	CSPI-54	B	52 3/8"	18"	10"	N/A	Variable	N/A	In-Line or Remote Mount Blower
	CSPI-60	B	58 3/8"	18"	10"	N/A	Variable	N/A	In-Line or Remote Mount Blower
290 CFM Integrated Blower	CSPI-302	C	28 3/8"	18"	6"	5	3-Speed	2.7	Internal Motor
	CSPI-362	C	34 3/8"	18"	6"	5	3-Speed	2.7	Internal Motor
	CSPI-422	C	40 3/8"	18"	6"	5	3-Speed	2.7	Internal Motor
	CSPI-482	C	46 3/8"	18"	6"	5	3-Speed	2.7	Internal Motor
395 CFM Integrated Blower	CSPI-303	D	28 3/8"	18"	7"	7	3-Speed	2.7	Internal Motor
	CSPI-363	D	34 3/8"	18"	7"	7	3-Speed	2.7	Internal Motor
	CSPI-423	D	40 3/8"	18"	7"	7	3-Speed	2.7	Internal Motor
610 CFM Integrated Blower	CSPI-306	E	28 3/8"	18"	8"	7.5	3-Speed	2.7	Internal Motor
	CSPI-366	E	34 3/8"	18"	8"	7.5	3-Speed	2.7	Internal Motor
	CSPI-426	E	40 3/8"	18"	8"	7.5	3-Speed	2.7	Internal Motor
	CSPI-486	E	46 3/8"	18"	8"	7.5	3-Speed	2.7	Internal Motor
1260 CFM Integrated Blower	CSPI-4212	F	40 3/8"	18"	10"	8.5	3-Speed	5.2	Dual Internal Motors
	CSPI-4812	F	46 3/8"	18"	10"	8.5	3-Speed	5.2	Dual Internal Motors
	CSPI-5412	F	52 3/8"	18"	10"	8.5	3-Speed	5.2	Dual Internal Motors
	CSPI-6012	F	58 3/8"	18"	10"	8.5	3-Speed	5.2	Dual Internal Motors

PROFESSIONAL 22" VENTILATION SYSTEM SPECIFICATIONS

Type	Model	Diagram	Width	Depth	Duct Size	Sones	Control	Amps	Blower
Liner Only	CSPI-36-22	G	34 3/8"	22"	8"	N/A	Variable	N/A	In-Line or Remote Mount Blower
	CSPI-42-22	H	40 3/8"	22"	10"	N/A	Variable	N/A	In-Line or Remote Mount Blower
	CSPI-48-22	H	46 3/8"	22"	10"	N/A	Variable	N/A	In-Line or Remote Mount Blower
	CSPI-54-22	H	52 3/8"	22"	10"	N/A	Variable	N/A	In-Line or Remote Mount Blower
	CSPI-60-22	H	58 3/8"	22"	10"	N/A	Variable	N/A	In-Line or Remote Mount Blower
610 CFM Integrated Blower	CSPI-366-22	I	34 3/8"	22"	8"	7.5	3-Speed	2.7	Internal Motor
	CSPI-426-22	I	40 3/8"	22"	8"	7.5	3-Speed	2.7	Internal Motor
	CSPI-486-22	I	46 3/8"	22"	8"	7.5	3-Speed	2.7	Internal Motor
1260 CFM Integrated Blower	CSPI-4212-22	J	40 3/8"	22"	10"	8.5	3-Speed	5.2	Dual Internal Motors
	CSPI-4812-22	J	46 3/8"	22"	10"	8.5	3-Speed	5.2	Dual Internal Motors
	CSPI-5412-22	J	52 3/8"	22"	10"	8.5	3-Speed	5.2	Dual Internal Motors
	CSPI-6012-22	J	58 3/8"	22"	10"	8.5	3-Speed	5.2	Dual Internal Motors

BBQ VENTILATION SYSTEM SPECIFICATIONS

Type	Model	Diagram	Width	Depth	Duct Size	Sones	Control	Amps	Blower
Liner Only	CSPI-36B	K	34 ½"	32"	10"	N/A	Variable	N/A	In-Line or Remote Mount Blower
	CSPI-42B	K	40 ½"	32"	10"	N/A	Variable	N/A	In-Line or Remote Mount Blower
	CSPI-48B	K	46 ½"	32"	10"	N/A	Variable	N/A	In-Line or Remote Mount Blower
	CSPI-54B	L	52 ½"	32"	2x10"	N/A	Variable	N/A	In-Line or Remote Mount Blower
	CSPI-60B	L	58 ½"	32"	2x10"	N/A	Variable	N/A	In-Line or Remote Mount Blower
	CSPI-66B	L	64 ½"	32"	2x10"	N/A	Variable	N/A	In-Line or Remote Mount Blower
	CSPI-72B	L	70 ½"	32"	2x10"	N/A	Variable	N/A	In-Line or Remote Mount Blower
1200 CFM Integrated Blower	CSPI-36B-12	K	34 ½"	32"	10"	7.5	3-Speed	2.7	Internal Motor
	CSPI-42B-12	K	40 ½"	32"	10"	7.5	3-Speed	2.7	Internal Motor
	CSPI-48B-12	K	46 ½"	32"	10"	7.5	3-Speed	2.7	Internal Motor
2300 CFM Integrated Blower	CSPI-54B-23	L	52 ½"	32"	2x10"	8.5	3-Speed	5.2	Dual Internal Motors
	CSPI-60B-23	L	58 ½"	32"	2x10"	8.5	3-Speed	5.2	Dual Internal Motors
	CSPI-66B-23	L	64 ½"	32"	2x10"	8.5	3-Speed	5.2	Dual Internal Motors
	CSPI-72B-23	L	70 ½"	32"	2x10"	8.5	3-Speed	5.2	Dual Internal Motors

REMOTE BLOWER KIT SPECIFICATIONS Remote Blower Kits include a hood liner, remote blower fan, fast clamps, damper, and silencer.

Type	Width	Depth	Liner	Blower	Clamps	Damper	Silencer	Duct Size	Amps
390 CFM Remote Blower Kit	28 ¾"	18"	CSPI-30	CSRB-6	CS-C6	CS-D6	CSDS-6	6"	1.26
	34 ¾"	18"	CSPI-36	CSRB-6	CS-C6	CS-D6	CSDS-6	6"	1.26
835 CFM Remote Blower Kit	28 ¾"	18"	CSPI-30	CSRB-8	CS-C8	CS-D8	CSDS-8	8"	2.99
	34 ¾"	18"	CSPI-36	CSRB-8	CS-C8	CS-D8	CSDS-8	8"	2.99
	40 ¾"	18"	CSPI-42	CSRB-8	CS-C8	CS-D8	CSDS-8	8"	2.99
	46 ¾"	18"	CSPI-48	CSRB-8	CS-C8	CS-D8	CSDS-8	8"	2.99
1260 CFM Remote Blower Kit	40 ¾"	22"	CSPI-42-22	CSRB-10	CS-C10	CS-D10	CSDS-10	10"	4.84
	46 ¾"	22"	CSPI-48-22	CSRB-10	CS-C10	CS-D10	CSDS-10	10"	4.84
	52 ¾"	22"	CSPI-54-22	CSRB-10	CS-C10	CS-D10	CSDS-10	10"	4.84
	58 ¾"	22"	CSPI-60-22	CSRB-10	CS-C10	CS-D10	CSDS-10	10"	4.84

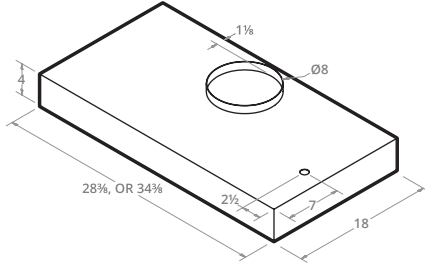
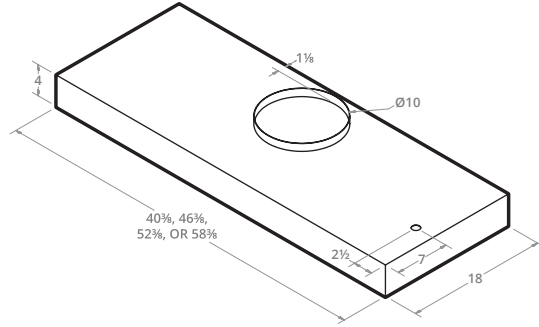
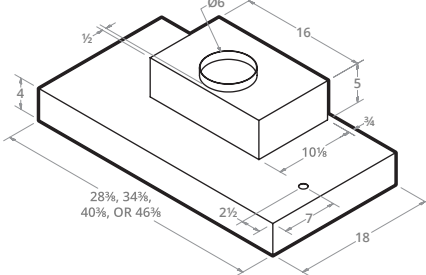
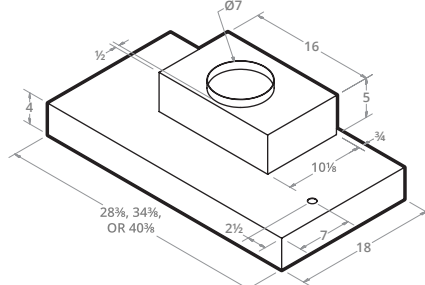
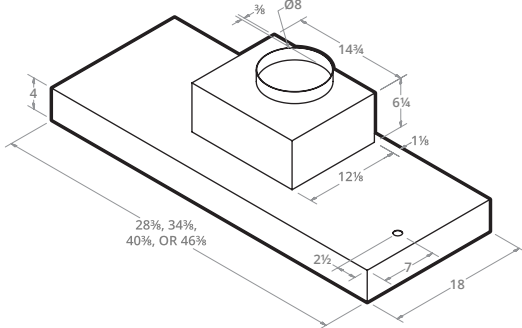
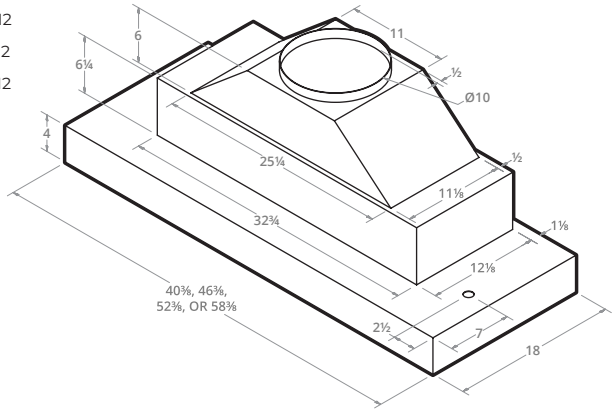
REMOTE BLOWER FAN SPECIFICATIONS

Model	CFM	Duct Size	Amps
CSRB-6	390	6"	1.26
CSRB-8	835	8"	2.99
CSRB-10	1260	10"	4.84

DUCT SIZING CHART AND AREA CALCULATIONS

Type	Size	Duct Type Required	Min. Discharge Size
6" Diameter, Round	28.3 in ²	6" Round Metal Duct or	28.3 in ²
		3.5" x 10" Rectangular Metal Duct	35 in ²
7" Diameter, Round	38.5 in ²	7" Round Metal Duct	38.5 in ²
8" Diameter, Round	50.25 in ²	8" Round Metal Duct or	50.25 in ²
		6" x 9" Rectangular Metal Duct	54 in ²
10" Diameter, Round	78.5 in ²	10" Round Metal Duct	78.5 in ²
3.25" x 10" Rectangular	32.5 in ²	3.25" x 10" Rectangular Metal Duct	32.5 in ²

Standard 18" Ventilation Systems

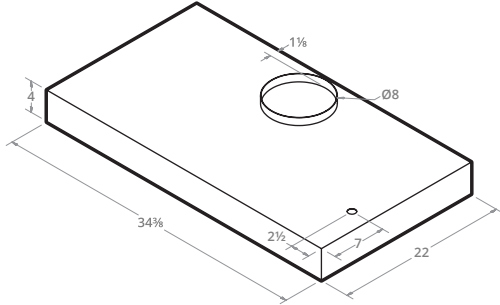
<p>A</p> <p>CSPI-30 CSPI-36</p> 	<p>B</p> <p>CSPI-42 CSPI-48 CSPI-54 CSPI-60</p> 
<p>C</p> <p>CSPI-302 CSPI-362 CSPI-422 CSPI-482</p> 	<p>D</p> <p>CSPI-303 CSPI-363 CSPI-423</p> 
<p>E</p> <p>CSPI-306 CSPI-366 CSPI-426 CSPI-486</p> 	<p>F</p> <p>CSPI-4212 CSPI-4812 CSPI-5412 CSPI-6012</p> 

! CAUTION - Cabinet or hood cutouts should be at least 1/8" larger than the outside dimensions.

Professional 22" Ventilation Systems

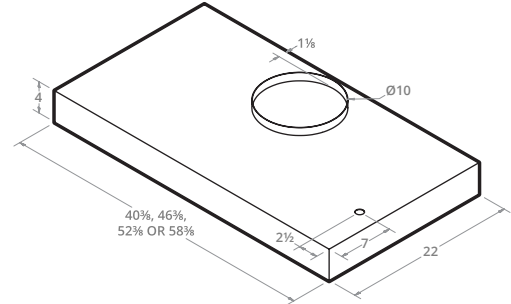
G

CSPI-36-22



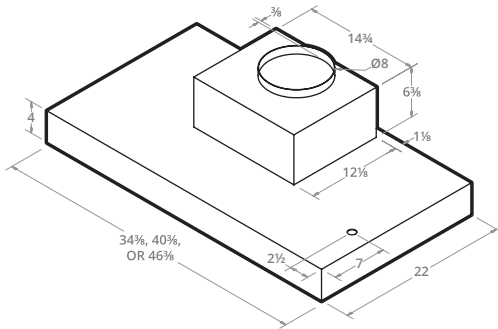
H

CSPI-42-22
CSPI-48-22
CSPI-54-22
CSPI-60-22



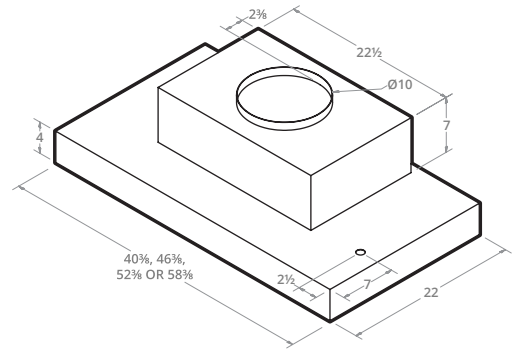
I

CSPI-366-22
CSPI-426-22
CSPI-486-22



J

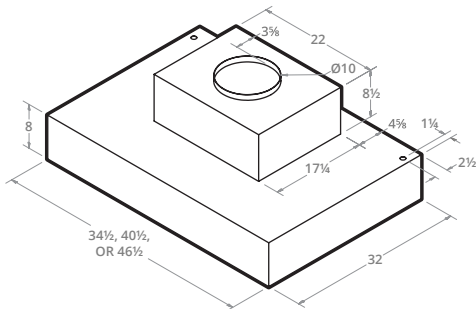
CSPI-4212-22
CSPI-4812-22
CSPI-5412-22
CSPI-6012-22



BBQ Ventilation Systems

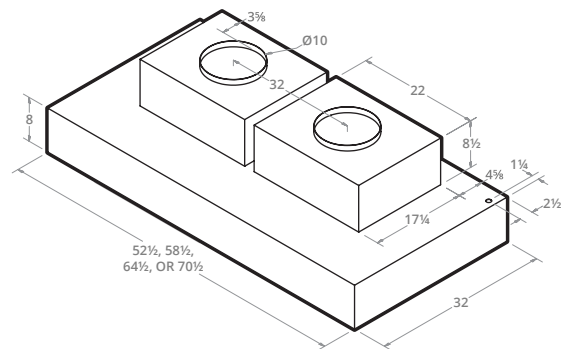
K

CSPI-36B
CSPI-36B-12
CSPI-42B
CSPI-42B-12
CSPI-48B
CSPI-48B-12



L

CSPI-54B
CSPI-54B-23
CSPI-60B
CSPI-60B-23
CSPI-66B
CSPI-66B-23
CSPI-72B
CSPI-72B-23



⚠ CAUTION - Cabinet or hood cutouts should be at least 1/8" larger than the outside dimensions.